



**CENTURY
INTERNATIONAL
ARMS INC.**



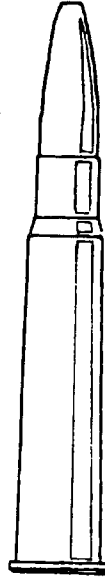
Lee Enfield Rifles

INCLUDES

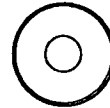
No.1 Mark III,

No.4 Mark I,

No.4 Mark II



Actual
Size



IMPORTANT!

READ THIS MANUAL FIRST!

SAFETY FIRST!

Firearms can be dangerous and can cause serious injury or death. Proper and safe firearms handling is the responsibility of anyone who touches or uses a firearm. Safety has to be the primary consideration of anyone using a firearm.

When purchasing a firearm, you assume responsibility for its safe use, storage and transportation. Particularly, it is critical that firearms be kept from unauthorized use, and this includes children. Your responsibility also includes, but is not limited to, the need to protect yourself and others from injury resulting from the misuse or abuse of a firearm.

- At all times, treat firearms as though they are loaded.
- Always be aware of where the muzzle is pointed.
- At all times, carry your firearm in a way that will preclude accidental injury to yourself or others in the event you should stumble, fall, or drop the firearm.
- Before shooting, make certain the barrel has no obstructions.
- Do not allow a firearm or ammunition to be left unattended. Secure both the firearm and ammunition from access by unauthorized people, including children.

- When shooting, always be certain that the area beyond the target, including the backstop, is clear and safe. Also make certain that shots fired present no safety hazards for yourself, or others.
- Always use both ear and eye protection when shooting.
- Always use factory loaded ammunition designed for and intended to be used in the firearm you are shooting. It must be the proper caliber and type for your firearm.
- Always understand the proper operation of your firearm, and never allow the firearm to be used by anyone who does not understand how to use the firearm properly and safely.
- Never pass a firearm to another person unless the action is open and the firearm is in an unloaded and safe condition. Never put your finger into the trigger guard until you are ready to shoot.
- When not using the firearm, ensure that it is unloaded.
- Store your firearm unloaded and in an area which is secure from unauthorized access. Further, store ammunition separately, and in an area secure from unauthorized access.

HISTORY & TECHNICAL DATA

Lee Enfield rifles served Britannia for more than a half-century, including both world wars and innumerable skirmishes in between. They are among the most widely acclaimed of all military rifles in the world, and have been considered by many to have been the best bolt-action battle rifles on the planet during their stint in service, which stretched all the way into the 1950s.

The No. 1 MkIII, No. 4 MkI and No. 4 MKII rifles all use detachable 10-shot box magazines, and are chambered for the .303 British cartridge. Barrel lengths are 25.2 inches, and overall lengths are 44.5 inches. No. 1 MkIII rifles weigh 8.6 pounds, while the No. 4 variants weigh roughly 9.1 pounds, depending on density of wood in the stock.

The primary differences among these sub-models have to do with minor changes in some action parts, as well as major changes in the sights. The No. 1 MkIII rifles feature a protected post front sight and protected tangent type open rear barrel sight. The No. 4 variants also have protected front sight posts, but feature aperture rear sights. Other differences include minor modifications like changes in the mechanisms for bolt removal.

Lee Enfield rifles are cock-on-closing propositions, with the bolt locking lugs located aft on the bolt. The manual safety lever is located on the left rear of the receiver, and is in the "fire" position when rotated forward, or "safe" position when rotated to the rear. When in the "safe" position, the bolt handle is locked closed.

The .303 British cartridge is rimmed, and is suitable for most big game hunting in the world, except possibly for the largest of the dangerous game species — and even they have been dropped with this cartridge over the course of time.

When in good condition, Lee Enfield rifles are quite accurate. Because of their weight, these rifles do not deliver objectionable recoil for most shooters.

DISASSEMBLY

To disassemble any of the Lee Enfield rifle models, first remove the magazine and assure that the rifle is not loaded. Next, remove the bolt. This procedure differs among the several models. By action type, bolt removal steps are:

* No. 1, Mark III — Rotate the bolt handle counter-clockwise and then pull it all the way to the rear. Disengage the bolt head from the retaining spring by rotating it counter-clockwise until it clicks. Now the bolt handle can be pulled rearward and out of the receiver. Figure #1.

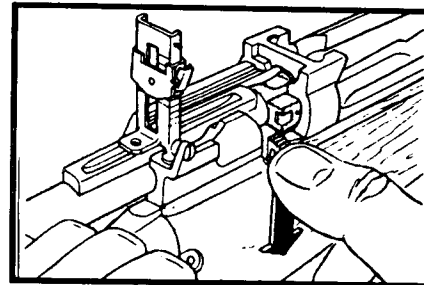
* No. 4, Mark I & No. 4 Mark II — Lift the rear sight to the vertical position and then depress the bolt release. Rotate the bolt head up until it is in line with the rib on the bolt and pull the bolt handle rearward and out of the receiver. Figure #2.

* No. 4, Mark I* (North American Mfg.) — Open the bolt and pull it rearward less than an inch until the bolt head is in the middle of a milled-out portion of the rail on the right

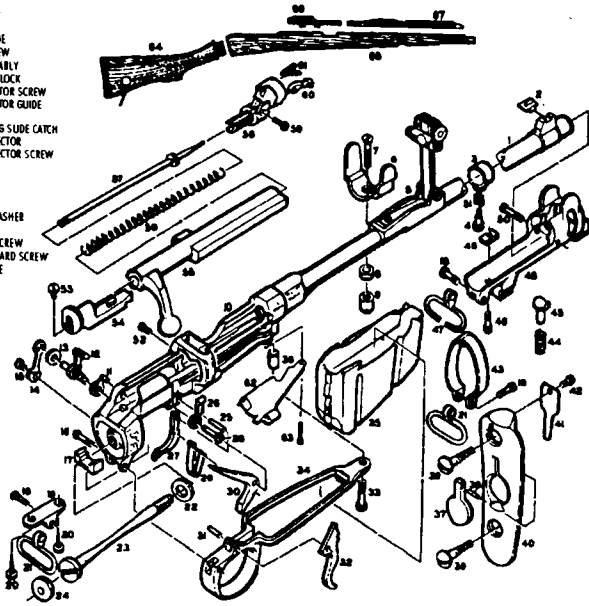
FIGURE #1



FIGURE #2



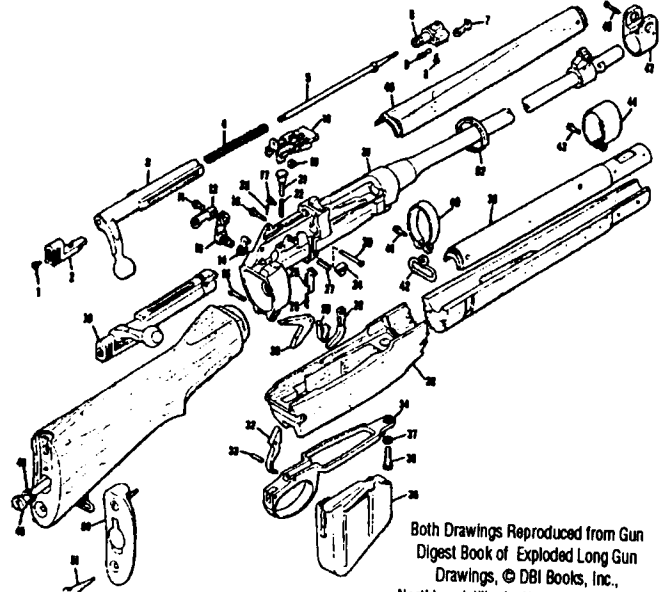
- ZENF001 BARREL
- ZENF002 FORESIGHT II BLADE
- ZENF003 FORESIGHT
- ZENF004 INNER BAND BLADE
- ZENF005 REARSIGHT ASSEMBLY
- ZENF006 REARSIGHT SLIDE LOCK
- ZENF008 REARSIGHT ELEVATOR SCREW
- ZENF009 REARSIGHT ELEVATOR GUIDE
- ZENF010 REARSIGHT LEAF
- ZENF015 REARSIGHT SPRING SLIDE CATCH
- ZENF016 REARSIGHT PROTECTOR
- ZENF017 REARSIGHT PROTECTOR SCREW
- ZENF018 PROTECTOR NUT
- ZENF019 RECEIVER
- ZENF020 SAFETY CATCH
- ZENF021 LOCKING BOLT
- ZENF022 SAFETY CATCH WASHER
- ZENF023 SAFETY SPRING
- ZENF024 SAFETY SPRING SCREW
- ZENF025 REAR TRIGGER GUARD SCREW
- ZENF026 STOCK BOLT PLATE



- ZENF018 SWIVEL SCREW
- ZENF019 BUTT SWIVEL BRACKET
- ZENF020 SWIVEL BRACKET SCREW
- ZENF021 SLING SWIVEL
- ZENF022 STOCK BOLT WASHER
- ZENF023 STOCK BOLT
- ZENF024 STOCK BOLT WAD
- ZENF025 MAGAZINE CATCH PM
- ZENF026 RETAINING SPRING
- ZENF027 MAGAZINE CATCH
- ZENF028 RETAINING SPRING SCREW
- ZENF029 SEAR SPRING
- ZENF030 SEAR
- ZENF031 TRIGGER PM
- ZENF032 TRIGGER
- ZENF033 FRONT TRIGGER GUARD SCREW
- ZENF034 TRIGGER GUARD
- ZENF035 MAGAZINE
- ZENF036 FRONT GUARD SCREW BUSHING
- ZENF037 BUTTPLATE TRAP
- ZENF038 BUTTPLATE TRAP PM
- ZENF039 BUTTPLATE SCREW
- ZENF040 BUTTPLATE
- ZENF041 BUTTPLATE TRAP SPRING

- ZENF042 BUTTPLATE TRAP SPRING SCREW
- ZENF043 CUTLER BAND
- ZENF044 FORE END STUD SPRING
- ZENF045 FORE END STUD
- ZENF046 BACKWOSE CAP SCREW
- ZENF047 PILING SWIVEL
- ZENF048 NOSE CAP
- ZENF049 NOSE CAP NUT
- ZENF050 FRONT NOSE CAP SCREW
- ZENF051 INNER BAND SPRING SCREW
- ZENF052 EJECTOR SCREW
- ZENF053 STRIKER SCREW
- ZENF054 COCKING PIECE
- ZENF055 BREECHBOLT
- ZENF056 MAG SPRING
- ZENF057 STRIKER
- ZENF058 BREECHBOLT HEAD
- ZENF059 EXTRACTOR SCREW
- ZENF060 EXTRACTOR
- ZENF061 EXTRACTOR SPRING
- ZENF062 CUT OFF
- ZENF063 CUT OFF SCREW
- ZENF064 BUTT STOCK
- ZENF065 FORE END

- ZENF066 REAR HANDGUARD
- ZENF067 FRONT HANDGUARD
- ZENF068 BAYONET TIPS
- ZENF069 REARSIGHT PIN
- ZENF070 REARSIGHT WASHER
- ZENF071 FRONT HANDGUARD CAP
- ZENF072 REARSIGHT SPRING SCREW
- ZENF073 BAYONET GUILTS
- ZENF074 REARSIGHT SPRING
- ZENF075 REARSIGHT ADJUSTMENT WORM
- ZENF076 REARSIGHT ADJUSTMENT WORM PIN
- ZENF077 MAG BOX GLIDE SPRING
- ZENF078 MAGAZINE SPRING AND FOLLOWER
- ZENF079 REARSIGHT SLIDE
- ZENF080 BAYONET SCABARD STAPLES
- ZENF081 REARSIGHT BAND
- ZENF082 DISC
- ZENF083 MARKING DISC SCREWS
- ZENF084 REARSIGHT BLADE
- ZENF085 CUT OFF LEVER
- ZENF086 REARSIGHT LEAF PIN
- ZENF087 BAYONET SCABARD
- ZENF088 FRONT STOCK LOCKING LUG
- ZENF089 GRNADIE LAUNCHER LUG



- Z440001 STRIKER SCREW
- Z440002 COCKING PIECE
- Z440003 BREECHBOLT (STRIPPED)
- Z440004 MAIN SPRING
- Z440005 STRIKER
- Z440006 BREECHBOLT HEAD
- Z440007 EXTRACTOR
- Z440008 EXTRACTOR SCREW
- Z440009 EXTRACTOR SPRING
- Z440010 BOLT (ASSEMBLED)
- Z440011 LOCKING BOLT SCREW
- Z440012 LOCKING BOLT SPRING
- Z440013 LOCKING BOLT
- Z440014 SAFETY CATCH
- Z440015 REAR GUARD SCREW
- Z440016 MAGAZINE CATCH SCREW
- Z440017 EJECTOR SCREW
- Z440018 INCL. 1 REAR SIGHT
- Z440019 SPACER
- Z440020 REARSIGHT HINGE PM
- Z440021 SIGHT DETENT PLUNGER
- Z440022 DETENT SPRING
- Z440023 HINGE PM LOCK PM

- Z440024 BOLT RELEASE STOP
- Z440025 BOLT RELEASE
- Z440026 BOLT RELEASE SPRING
- Z440027 SEAR HINGE PM
- Z440028 MAGAZINE CATCH
- Z440029 SEAR SPRING
- Z440030 SEAR
- Z440031 BODY (RECEIVER)
- Z440032 TRIGGER
- Z440033 TRIGGER PIN
- Z440034 TRIGGER GUARD
- Z440035 MAGAZINE
- Z440036 FRONT GUARD SCREW
- Z440037 GUARD SCREW LOCK WASHER
- Z440038 FORE END
- Z440039 FRONT HANDGUARD
- Z440040 SWIVEL BAND
- Z440041 SWIVEL BAND SCREW
- Z440042 SLING SWIVEL
- Z440043 UPPER BAND SCREW
- Z440044 UPPER BAND
- Z440045 REAR HAND GUARD
- Z440046 FORESIGHT PROTECTOR SCREW

- Z440047 FORESIGHT PROTECTOR
- Z440048 STOCK BOLT
- Z440049 STOCK BOLT STOCK WASHER
- Z440050 BUTTPLATE
- Z440051 BUTTPLATE SCREW (2)
- Z440052 LOWER BAND
- Z440053 BUTT SWIVEL SCREW
- Z440054 BUTT SWIVEL
- Z440055 FRONT HANDGUARD BAND
- Z440056 FORE END PM
- Z440057 FORE END BAND STRAP
- Z440058
- Z440059 OILERS
- Z440060 FORE END BAND
- Z440061 REARSIGHT SLIDE
- Z440062 BAYONET GUILTS
- Z440063 FRONT SIGHT RING
- Z440064 BRUSHES
- Z440065 BUTTPLATE TRAP DOOR
- Z440066 FRONT SIGHT BLADE
- Z440067 FOLLOWER
- Z440068 FOLLOWER AND SPRING
- Z440069 BUTTPLATE TRAP DOOR SPRING
- Z440070 BARREL

Both Drawings Reproduced from Gun Digest Book of Exploded Long Gun Drawings, © DBI Books, Inc., Northbrook, Illinois. Used with permission

CARE & CLEANING

side of the receiver. Rotate the bolt head upward until it stops and then pull the bolt rearward out of the receiver. Figure #3.

Once the bolt is out of the rifle, the bolt head easily unscrews for replacement or cleaning. Further disassembly of the bolt requires special tooling and is not advised unless necessary.

To disassemble the magazine for any of the Lee Enfield rifles, push the rear of the follower down far enough for the front to clear the tab-

FIGURE #3

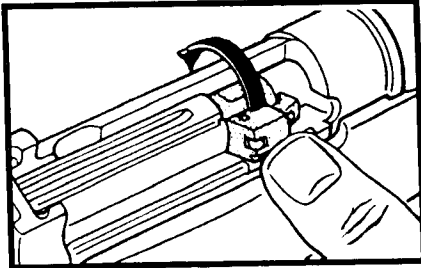
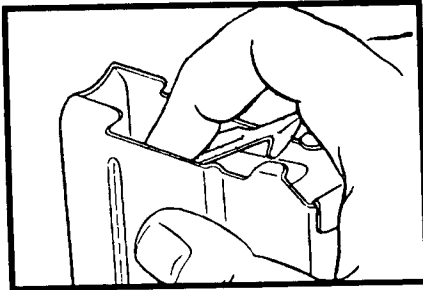


FIGURE #4



like projections on the lip of the box. Next, ease out the follower and spring. Figure #4.

Reassembly of the bolt and magazine components is the reverse procedure of disassembly, and there are no unwanted surprises in putting the parts back together. However, the bolt head must be screwed into the bolt body all the way and then backed off slightly before the bolt will fit back into the receiver properly.

Further disassembly normally is not necessary for routine cleaning and maintenance.

Because Lee Enfield rifles were designed to be used by militaries around the world in all climates, they require little special care and cleaning. When not in use, it is wise to store these rifles in a cool, dry place. Exposed metal surfaces should be coated with some form of oil or grease to prevent rust.

To clean the Lee Enfield rifle, remove the bolt from the action and assure that the rifle is completely unloaded. First it is necessary to clean the bore. To accomplish this, it is necessary to have a cleaning rod long enough to go through the full length of the barrel and to have cloth patches (these can be made from cotton or cotton-blend cloth and should be large enough to rub against the bore of the rifle as they are pushed by the cleaning rod, but not so large as to cause severe resistance when used).

Chronologically, a patch soaked with powder solvent should be used first. Any of the commercially available solvents will work well if non-corrosive ammunition has been used. If the ammunition used has corrosive priming, it is necessary to neutralize the salts which are byproducts of firing. This can be done with solvents designed specifically for corrosive priming, or liberal use of soap (or detergent) and water will work. Ammonia-based window cleaners also work well.

Once the barrel has been swabbed thoroughly with solvent/cleaner (it might take several passes with more than one patch to accomplish this), the bore should be dried with a clean patch (or patches) and then if the rifle is to be stored, the bore should be coated with a thin oil.

Other metal parts in the action and magazine can be cleaned with the same materials and in the same sequence, and the remainder of the exposed metal parts (like barrel, buttplate and sights) can be cleaned and then given an oil coating.

Periodically, it is also good to clean the bore with some form of solvent that removes any copper fouling left when the jacketed bullets are shot. There are copper de-fouling solvents available commercially, or any strong ammonia-based cleaner can be used.

LOADING & UNLOADING

There are three ways to load Lee Enfield rifles. To load one cartridge at a time, lift the bolt handle up, then pull the bolt all the way to the rear until it stops. Ammunition can be loaded one cartridge at a time by inserting a round directly into the chamber and closing the bolt.

Or, the magazine can be removed from the rifle and cartridges can be loaded into it by pushing downward on the magazine follower until the cartridge clicks into place under the lips of the magazine box. This can be repeated until the 10-shot magazine is filled. Once the magazine is loaded, it can be inserted into the opening on the bottom of the receiver. When inserted properly, it clicks into place. To remove the magazine, depress the magazine release lever in front of the trigger in the trigger guard housing. While depressing the lever, pull downward on the magazine box.

Or, Lee Enfield rifles can be loaded from a stripper clip. To do this, open the bolt and insert the stripper clip into the jaws which are milled into the top of the receiver at the rear of the ejection port. Once the clip is pushed into the milled opening, push downward on the stack of cartridges, forcing them down and into the magazine. When all of the cartridges are loaded into the magazine, remove the empty stripper clip.

Lee Enfield rifles are cock-on-closing propositions, which means the striker spring is compressed during the final forward movement of the bolt. It takes a noticeable amount of force to do this, but it never should be hard to accomplish. This means that if it is difficult to close the bolt totally, inspect the ammunition, barrel, chamber and action for any obstructions or debris and do not attempt to fire the rifle until any problems have been eliminated.

To fire the rifle, pull rearward on the trigger. Then extract and eject the fired cartridge case. To do this, simply cycle the action.

To unload a Lee Enfield rifle, it is necessary to open the bolt and pull it all the way to the rear, removing any cartridge or case that might have been in the chamber. Next, depress the magazine release lever inside the trigger guard and remove the magazine. To remove cartridges from the magazine, merely push forward on the base of the top round, forcing it out of the box. Repeat this procedure until the magazine is empty.

LIABILITY

Lee Enfield rifles are classified as firearms and could cause harm or death if not used in a proper manner. They are sold by us with the specific understanding that we are not legally responsible in any manner for their improper use, negligent handling or improper resale under local laws and or regulations. Century International Arms, Inc. and its successors and assigns shall not be held liable for the malfunctioning of the firearm or for physical injury or property damage resulting in whole or in part from including, but not limited to, (a) criminal or negligent discharge, (b) improper or careless handling, (c) unauthorized modifications, (d) defective, improper, hand loaded or reloaded ammunition, (e) corrosion, (f) neglect, (g) other influences beyond our immediate or direct control. This limitation applies regardless of whether liability is asserted on the basis of contract, negligence or strict liability (including any failure to warn). Under no circumstances shall Century International Arms, Inc., be liable for incidental or consequential damages, such as loss of use of property, commercial loss or loss of earnings or profits.



**CENTURY
INTERNATIONAL
ARMS INC.**

P.O. Box 714

St. Albans, Vermont 05478

USA 1-800-258-8879